

Round Standard LED Panel SPEC

R02CO





■ Matters needing attention

- Before installing the lighting fixtures, please read this instruction manual carefully.
- The lighting fixtures should be installed, connected and tested by a certified installer based on the local regulations.
- Lamps should always be installed or replaced with care.
- Please check local voltage in accordance with the product requirements before using the product.
- Relamping only can be done when the power is off and the lamp is completely cooled down.
- When a lamp is to be cleaned, make the power off and let it cool down completely. Clean the fixture with a soft cloth and a standard PH neutral detergent. Stainless steel finishing should be maintained regularly.
- Misuse of, or changes to the fixture shall nullify the guarantee.
- Don't cover the fixtures with flammable materials.
- Exclusively replaced by the manufacturer or his service agent or the similar qualified person in order to avoid a hazard.

■ S/N Rules

S/N: ABCDE-FGHI-JKLM

1 2 3 4 5 6 7

CCTRange:

WW(3000K) NW(4000K) DW(5000K) CW(6000K)

- 1 Type Panel
- 2 Series
- 3 Function
- 4 Power
- 5 CCT
- 6 Version
- 7 Size

■ Temperature Characteristics T-ambient 25 °C

Temperature

Operating -20~+40 °C
Storage -40~+85 °C

Humidity

Operating 10%-80%
Storage 10%-80%

■ Electrical Characteristics

Input Voltage: AC100~240V 50/60Hz
PF: ≥0.93
Power Efficiency: ≥0.87



1. Features

- Using optical PMMA light guide
- Using indirect lighting for downy light and visually comfortable
- Application in the design of concise interior space
- AL6063-T5 Aluminium frame better heat dissipation
- Maximum efficacy and minimum glare
- Illuminance Uniformity
- No UV ,No lead, No Mercury, Up to 70% energy saving

2.Application

COMMERCIAL LIGHTING

Office
 Supermarket
 Hotel
 Exhibition hall
 Etc

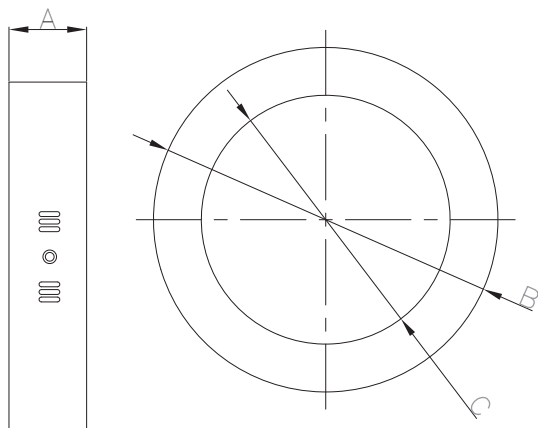
PUBLIC LIGHTING

Residence
 Library
 Hospitals
 School
 MTR station
 Train station
 Etc

INDUSTRIAL LIGHTING

Factory

3.Product Dimension



Model NO.	SizeA(mm)	Size B(mm)	Size C(mm)
R02CO-10NA-R180	40	180	130
R02CO-15NA-R240	40	240	190
R02CO-22NA-R300	40	300	250

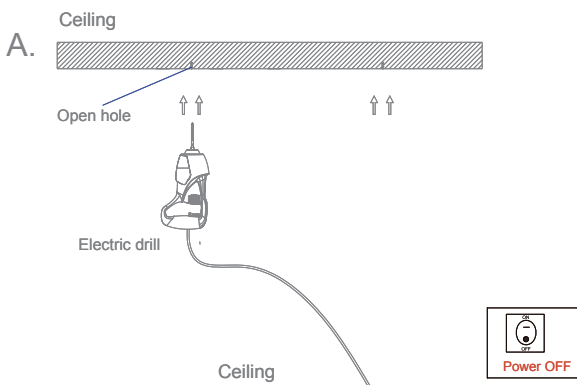


4.Parameter

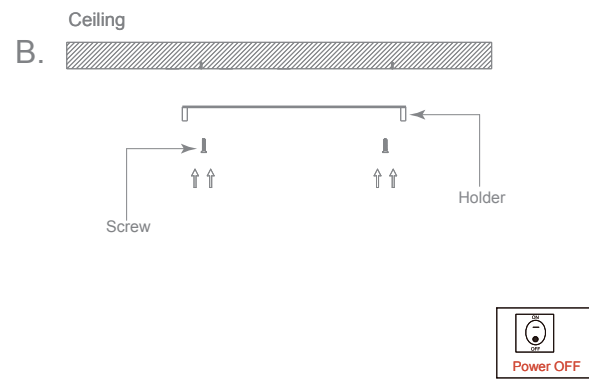
Model NO.	Size (mm)	Power (W)	Light Source	LED QTY (pcs)	CCT (K)	Luminous Flux(Lm)	Efficiency (Lm/W)	CRI	Beam Angle
R02CO-10NA-R180	180*40	10	2835	42	4000K	850	85	>80	120°
R02CO-15NA-R240	240*40	15	2835	72	4000K	1275	85	>80	120°
R02CO-22NA-R300	300*40	22	2835	108	4000K	1870	85	>80	120°

CCT Range WW(3000K) NW(4000K) DW(5000K) CW(6000K)

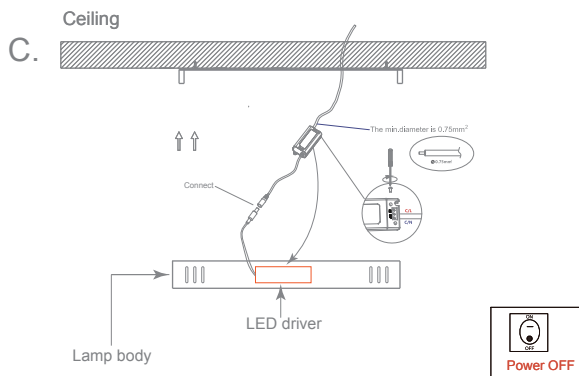
5.Installation



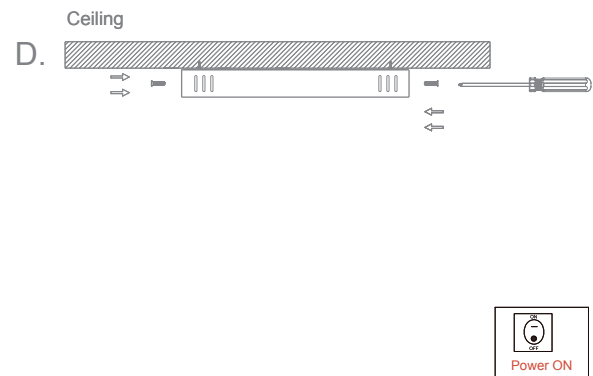
A : Make a right position and screw hole



B : mounting bracket



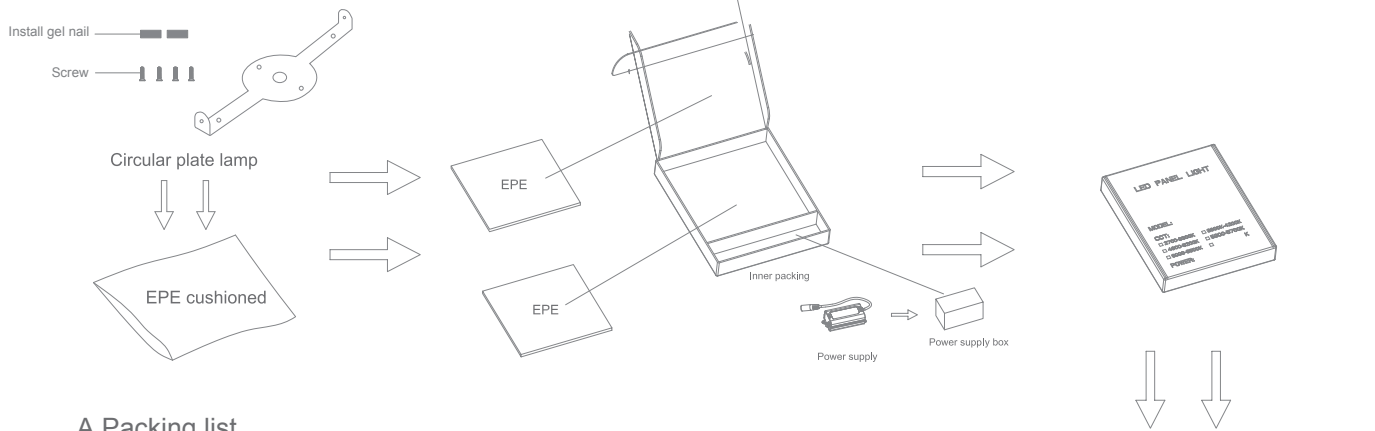
C : Make the power off and connect with cable



D : Make the lamp body and holder together by screwdriver

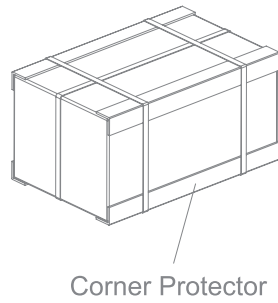


6.Packaging



A.Packing list

Sequence Number	Model NO.	Quantity
1	Circular plate lamp	1pc
2	EPE cushioned	1pc
3	EPE	2pcs
4	Metal card buckle	2pcs
5	Power supply	1pc
6	Power supply box	1pc
7	Manual	1pc



B.Packing Data

Model No	Single Box	Pcs/ctn	N.M./tube(kg)	G.W./ctn(kg)	Meas(cm)
R02CO-R180	1	10	0.8	8.5	390x200x260
R02CO-R240	1	10	1.1	11.6	260x260x510
R02CO-R300	1	10	1.6	16.8	260x320x630

7.Attention

This specification is for reference only,we reserve the right to change without notice.If you need the updated info,please contact local distributors or visit our website at <http://www.ervan.cn>