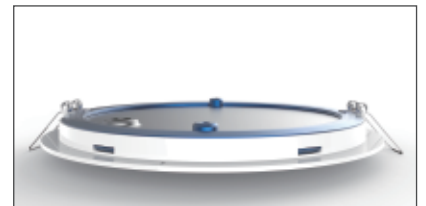


# Round Standard LED Panel SPEC R03CO

Using optical PMMA light guide



Uniform illuminance



IP44 □ CE □ RoHS □ [    ] (Applying)



## ■ Matters needing attention

- Before installing the lighting fixtures, please read this instruction manual carefully.
- The lighting fixtures should be installed, connected and tested by a certified installer based on the local regulations.
- Lamps should always be installed or replaced with care.
- Please check local voltage in accordance with the product requirements before using the product.
- Relamping only can be done when the power is off and the lamp is completely cooled down.
- When a lamp is to be cleaned, make the power off and let it cool down completely. Clean the fixture with a soft cloth and a standard PH neutral detergent. Stainless steel finishing should be maintained regularly.
- Misuse of, or changes to the fixture shall nullify the guarantee.
- Don't cover the fixtures with flammable materials.
- Exclusively replaced by the manufacturer or his service agent or the similar qualified person in order to avoid a hazard.

## ■ S/N Rules

S/N: ABCDE-FGHI-JKLM

1 2 3 4 5 6 7

CCT Range:

WW(3000K) NW(4000K) DW(5000K) CW(6000K)

- 1 Type Panel
- 2 Series
- 3 Function
- 4 Power
- 5 CCT
- 6 Version
- 7 Size

## ■ Temperature Characteristics T-ambient 25°

### Temperature

Operating -20~+40 °C

Storage -40~+85 °C

### Humidity

Operating 10%-80%

Storage 10%-80%

## ■ Electrical Characteristics

### Input Voltage:

US: AC100~277V 50/60Hz

EU: AC220~240V 50/60Hz

PF: ≥0.93

Power Efficiency: ≥0.87



## 1. Features

- Frame integrated
- Using optical PMMA light guide
- Using indirect lighting for downy light and visually comfortable
- Application in the design of concise interior space
- Maximum efficacy and minimum glare
- Uniform illuminance
- No UV ,No lead, No Mercury, Up to 70% energy saving
- Water proof IP44 rate

## 2.Application

### COMMERCIAL LIGHTING

Office  
Meeting room  
Hotel  
Hospital  
Supermarkets  
Shopping mall  
Large retailers  
Library  
School  
etc.

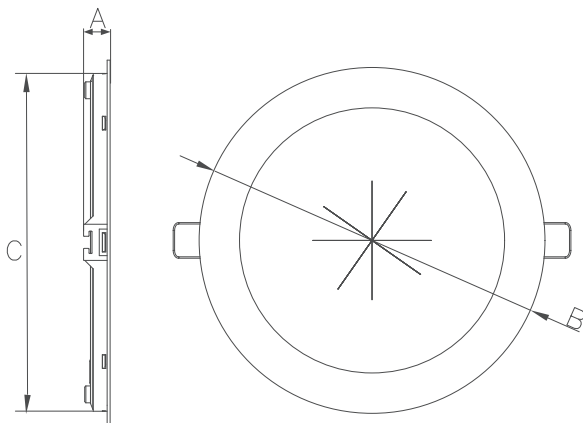
### PUBLIC LIGHTING

Tunnel  
Airports  
Sports  
Train stations  
Bus stations  
Theatres  
MTR stations  
etc.

### INDUSTRIAL LIGHTING

Manufacture  
Warehouses  
Park  
Exhibition centers  
Gas stations  
Toll stations  
Gymnasium  
etc.

## 3.Product Dimension



Model NO.	SizeA(mm)	Size B(mm)	Cut Out(mm)
R03CO-10NA-R180	22	180	168
R03CO-15NA-R240	22	240	228
R03CO-22NA-R300	22	300	288

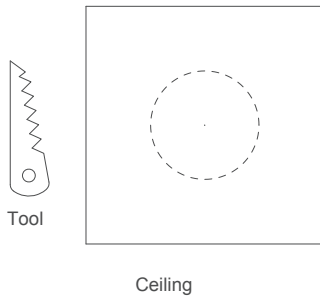


## 4.Parameter

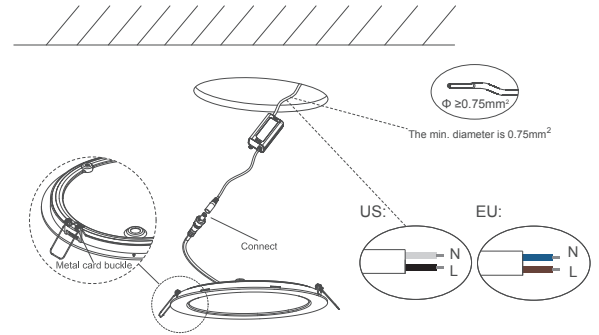
Model NO.	Size (mm)	Power (W)	Ligt Source	LED QTY (pcs)	CCT (K)	Luminous Flux(Lm)	Efficiency (Lm/W)	CRI	Beam Angle	Recommended Installation Height (m)
R03CO-10NA-R180	Ø180	10	4014	54	4000K	850	85	>80	120°	2-6
R03CO-15NA-R240	Ø240	15	4014	72	4000K	1275	85	>80	120°	2-6
R03CO-22NA-R300	Ø300	22	4014	108	4000K	1870	85	>80	120°	2-6

CCT Range WW(3000K) NW(4000K) DW(5000K) CW(6000K)

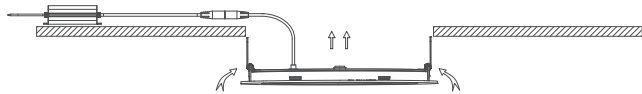
## 5.Installation



A: Cut out in right size.



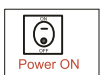
B: Make the power off and connect with cable



C: Recess the fixture onto the ceiling.

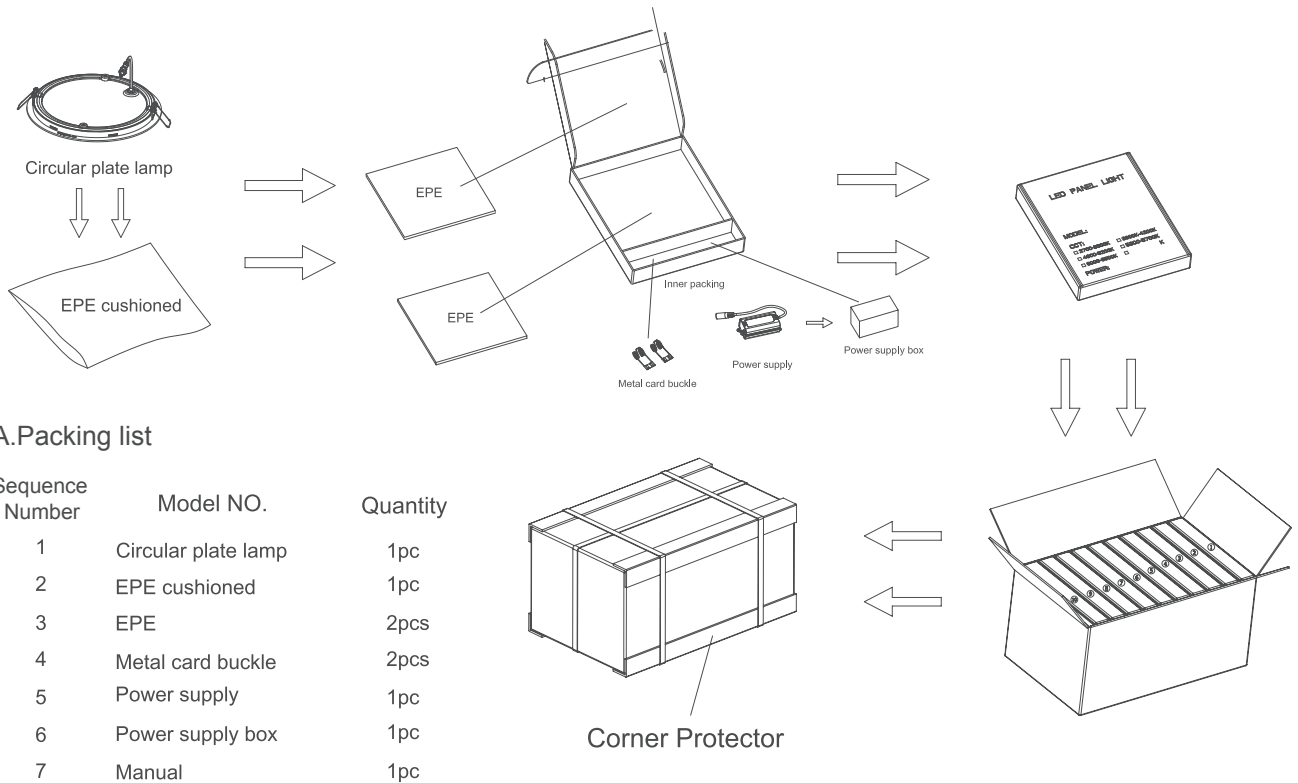


D: Adjust the position of the fixture and clean it.



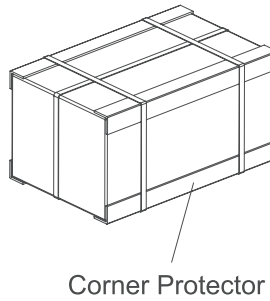


## 6.Packaging



### A.Packing list

Sequence Number	Model NO.	Quantity
1	Circular plate lamp	1pc
2	EPE cushioned	1pc
3	EPE	2pcs
4	Metal card buckle	2pcs
5	Power supply	1pc
6	Power supply box	1pc
7	Manual	1pc



### B.Packing Data

Model No	Single Box	Pcs/ctn	N.M./panel(kg)	G.W./ctn(kg)	Meas(cm)
R03CO-R180	1	10	0.343	5.1	422x262x250
R03CO-R240	1	10	0.520	7.6	532x332x250
R03CO-R300	1	10	0.800	11.01	672x442x250

## 7.Attention

This specification is for reference only,we reserve the right to change without notice.If you need the updated info,please contact local distributors or visit our website at <http://www.ervan.cn>