

Round Standard LED Panel SPEC

R01CO





■ Matters needing attention

- Before installing the lighting fixtures, please read this instruction manual carefully.
- The lighting fixtures should be installed, connected and tested by a certified installer based on the local regulations.
- Lamps should always be installed or replaced with care.
- Please check local voltage in accordance with the product requirements before using the product.
- Relamping only can be done when the power is off and the lamp is completely cooled down.
- When a lamp is to be cleaned, make the power off and let it cool down completely. Clean the fixture with a soft cloth and a standard PH neutral detergent. Stainless steel finishing should be maintained regularly.
- Misuse of, or changes to the fixture shall nullify the guarantee.
- Don't cover the fixtures with flammable materials.
- Exclusively replaced by the manufacturer or his service agent or the similar qualified person in order to avoid a hazard.

■ S/N Rules

S/N: ABCDE-FGHI-JKLM

1 2 3 4 5 6 7

CCTRange:

WW(3000K) NW(4000K) DW(5000K) CW(6000K)

- 1 Type Panel
- 2 Series
- 3 Function
- 4 Power
- 5 CCT
- 6 Version
- 7 Size

■ Temperature Characteristics T-ambient 25 °C

Temperature

Operating -20~+40 °C
Storage -40~+85 °C

Humidity

Operating 10%-80%
Storage 10%-80%

■ Electrical Characteristics

Input Voltage: AC100~240V 50/60Hz
PF: ≥0.93
Power Efficiency: ≥0.87



1. Features

- Using optical PMMA light guide
- Using indirect lighting for downy light and visually comfortable
- Application in the design of concise interior space
- AL6063-T5 Aluminium frame better heat dissipation
- Maximum efficacy and minimum glare
- Illuminance Uniformity
- No UV ,No lead, No Mercury, Up to 70% energy saving

2.Application

COMMERCIAL LIGHTING

Office
Supermarket
Hotel
Exhibition hall
Etc

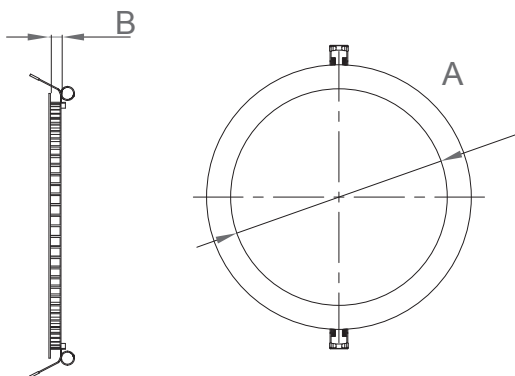
PUBLIC LIGHTING

Residence
Library
Hospitals
School
MTR station
Train station
Etc

INDUSTRIAL LIGHTING

Factory

3.Product Dimension



Model NO.	SizeA(mm)	Size B(mm)	Cut out(mm)
R01CO-08NA-R145	145	12.5	133
R01CO-10NA-R180	180	12.5	168
R01CO-15NA-R240	240	12.5	228
R01CO-22NA-R300	300	12.5	288

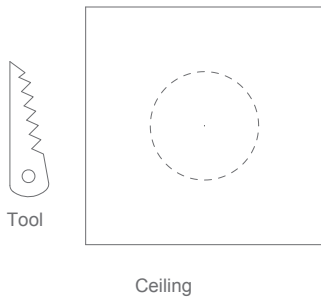


4.Parameter

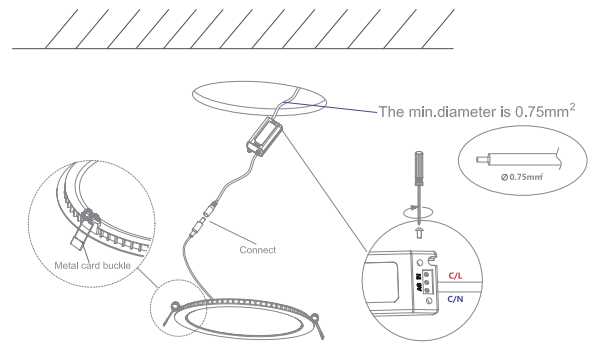
Model NO.	Size (mm)	Power (W)	Light Source	LED QTY (pcs)	CCT (K)	Luminous Flux(Lm)	Efficiency (Lm/W)	CRI	Beam Angle
R01CO-08NA-R145	145*12.5	08	2835	42	4000K	680	85	>80	120°
R01CO-10NA-R180	180*12.5	10	2835	42	4000K	850	85	>80	120°
R01CO-15NA-R240	240*12.5	15	2835	72	4000K	1275	85	>80	120°
R01CO-22NA-R300	300*12.5	22	2835	108	4000K	1870	85	>80	120°

CCT Range WW(3000K) NW(4000K) DW(5000K) CW(6000K)

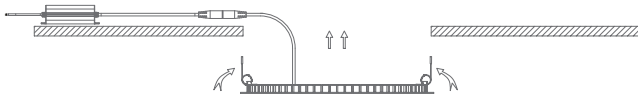
5.Installation



A: Cut out in right size.



B: Make the power off and connect with cable



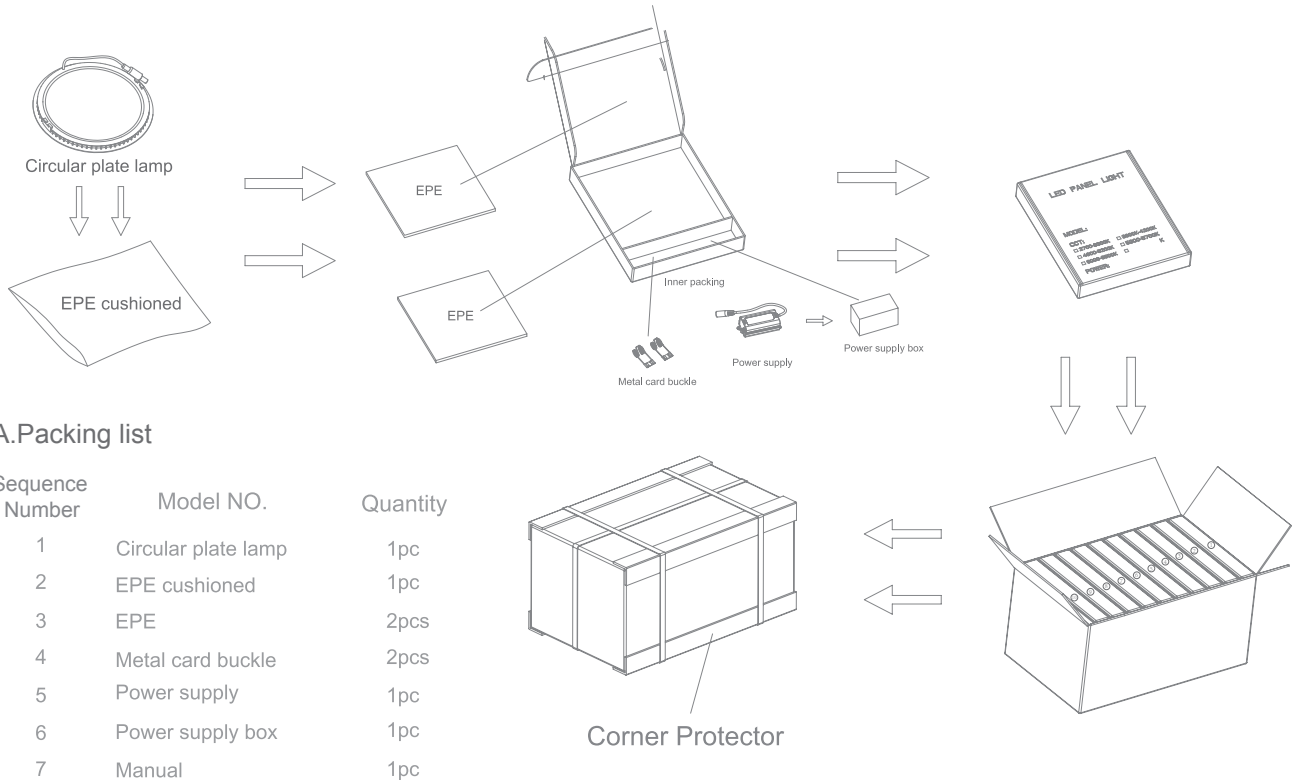
C: Install the fixture onto the ceiling and secure the fixture by the clips.



D: Adjust the position of the fixture and clean it..



6.Packaging



7.Attention

This specification is for reference only,we reserve the right to change without notice.If you need the updated info,please contact local distributors or visit our website at <http://www.ervan.cn>