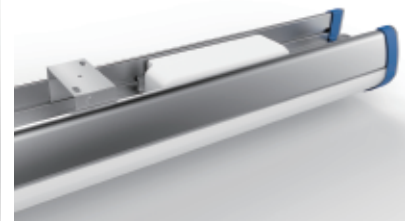
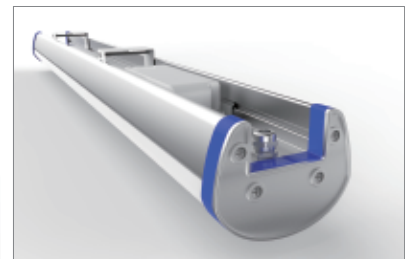
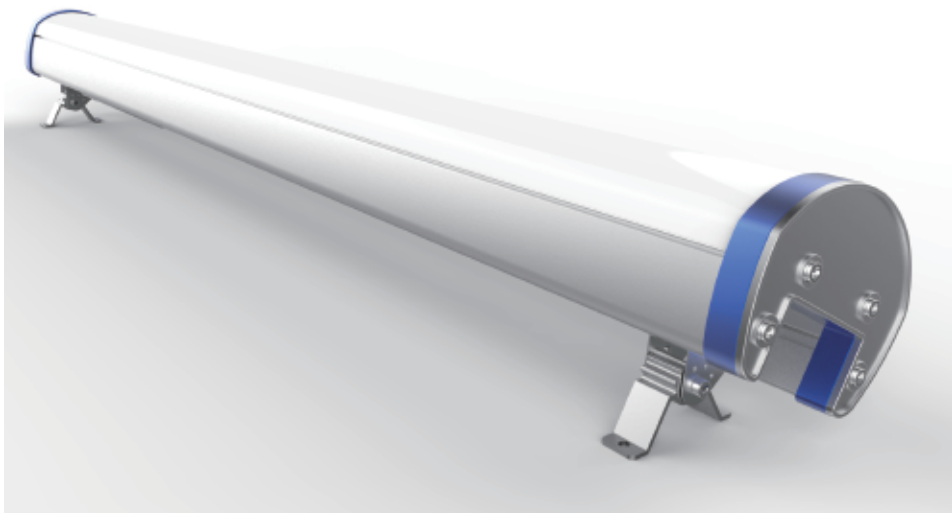


LED Linear Light SPEC

L20G (Economic solution for replace tube fixtures)

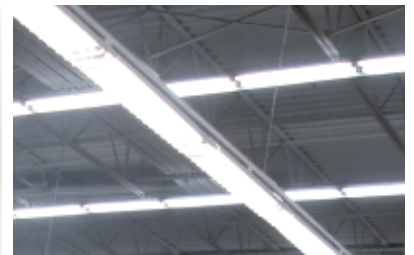
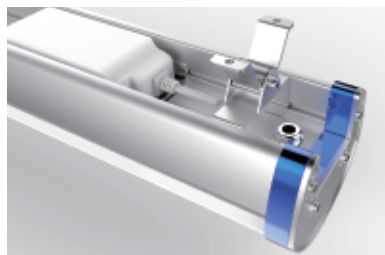
Max can get to 100 Watts



Directly replace the tube fixtures

Ultra bright 140lm/w

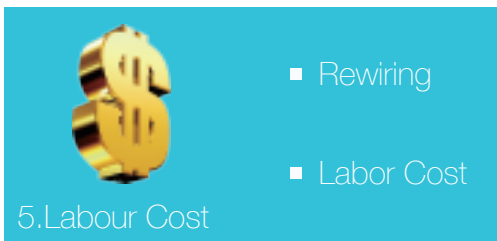
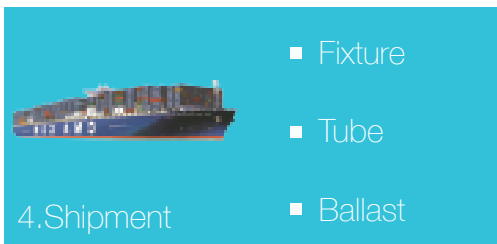
Water-proof IP44





■ Why do you chose ERVAN product ?

A.Traditional tube fixtures



B.LED Linear Light



VS

So,ERVAN can provide economic solution for replace tube fixtures

- A. We provide more economical lighting solution
- B. Application is more widely
- C. Brightness is more energy efficient



■ Matters needing attention

- Before installing the lighting fixtures, please read this instruction manual carefully.
- The lighting fixtures should be installed, connected and tested by a certified installer based on the local regulations.
- Lamps should always be installed or replaced with care.
- Please check the local voltage in accordance with the product requirements before using the product.
- Relamping only can be done when the power is off and the lamp is completely cooled down.
- When a lamp is to be cleaned, make the power off and let it cool down completely. Clean the fixture with a soft cloth and a standard PH neutral detergent. Stainless steel finishing should be maintained regularly.
- Misuse of, or changes to the fixture shall nullify the guarantee.
- Don't cover the fixtures with flammable materials.
- Exclusively replaced by the manufacturer or his service agent or the similar qualified person in order to avoid a hazard.

■ S/N Rules

S/N:ABCDEFX

1 2 3 4 5 6

EX:L07GK206511030000X

1 2 3 4 5 6

- 1 Model
- 2 PC Lens : K=Frosted T=Clear
- 3 Power : 20=20W 30=30W 40=40W 50=50W 65=65W
- 4 Color Range : 30=WW(3000K) 40=NW(4000K) 50=DW(5000K)
60=CW(6000K)
- 5 Date : 11=2011 Year 03=March
- 6 Quantity : 00001-99999PCS

■ Temperature Characteristics T-ambient 25°C

Temperature

Operating -20~+40C

Storage -40~+85C

■ Electrical Characteristics

Input Voltage: AC100~277V 50/60Hz

PF:≥0.93 THD<20%

Power Efficiency:≥0.87



1. Features

- Directly replace the tube fixtures
- Economic solution for replace tube fixtures
- Max can get to 100 watts
- Water-proof IP44
- Save more purchase and assembly cost
- Convenient installation with linkable connector
- Comfortable optical design without dark space and shadow
- High efficiency and energy saving
- Ultra bright 140lm/W

2. Application

COMMERCIAL LIGHTING

Supermarket
Exhibition hall
Parking place
Gas station
Etc

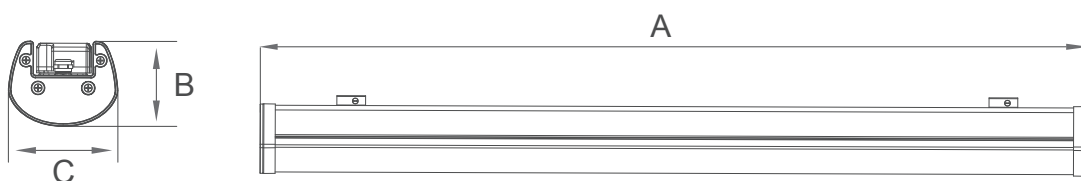
PUBLIC LIGHTING

Tunnel
MTR station Etc
Train station
Bus station
Airport
Etc

INDUSTRIAL LIGHTING

Factory/Warehouse
Etc

3. Product Dimension



Model NO.	Size A(mm)	Size B(mm)	Size C(mm)
L20G 600mm	600	85	109
L20G 900mm	900	85	109
L20G 1200mm	1200	85	109
L20G 1500mm	1500	85	109

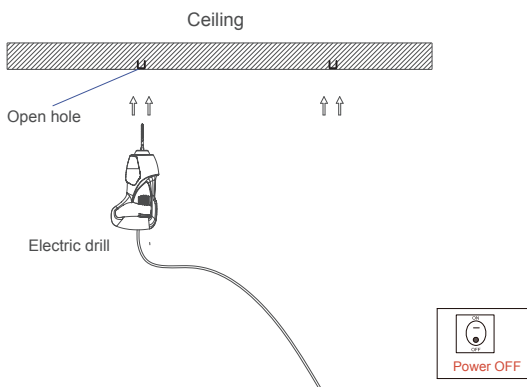
4. Parameter

Model NO.	Power (W)	Light Source	LED QTY (pcs)	CCT (K)	Frosted Cover Lumens	Frosted Cover Lm/W	Clear Cover Lumens	Clear Cover Lm/W	CRI	Beam Angle
L20G/600mm	40	2835	240	4000K	4200	105	4600	115	>80	120°
L20G/900mm	60	2835	312	4000K	6300	105	6900	115	>80	120°
L20G/1200mm	80	2835	416	4000K	8400	105	9200	115	>80	120°
L20G/1500mm	100	2835	520	4000K	10500	105	11500	115	>80	120°

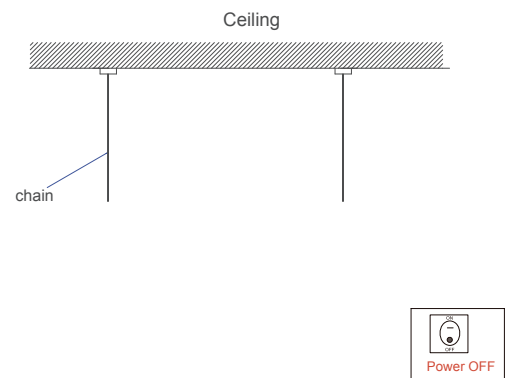
CCT Range WW(3000K) NW(4000K) DW(5000K) CW(6500K)

5. Installation

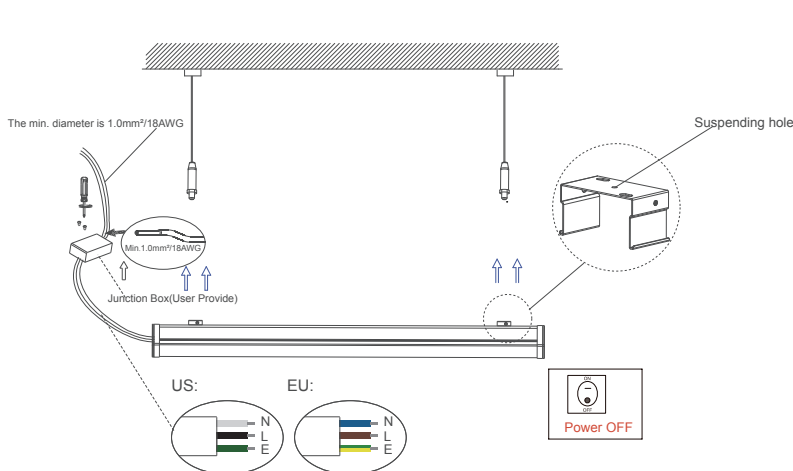
A. Suspending



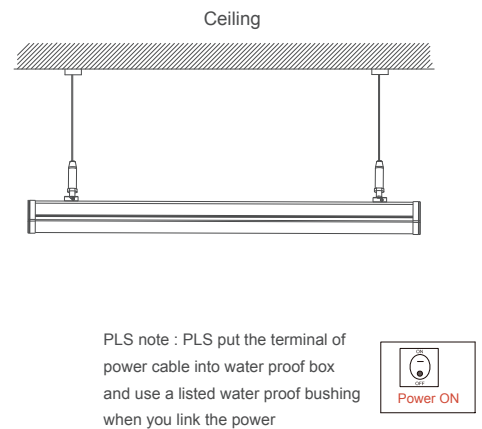
A : Make a right position and screw hole



B : Screw the steel cable onto the ceiling



C : Hang the fixture under the steel cable and secure the fixture by steel cable

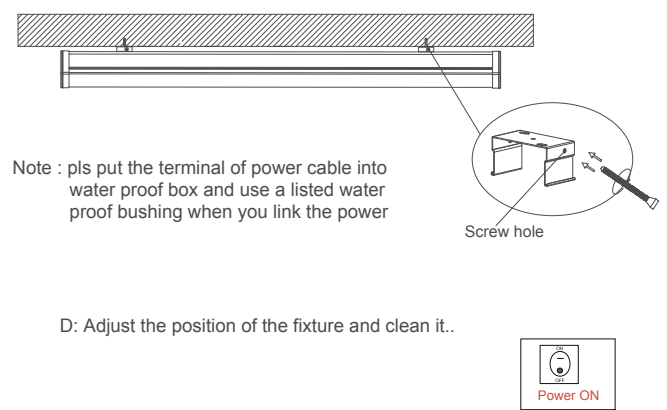
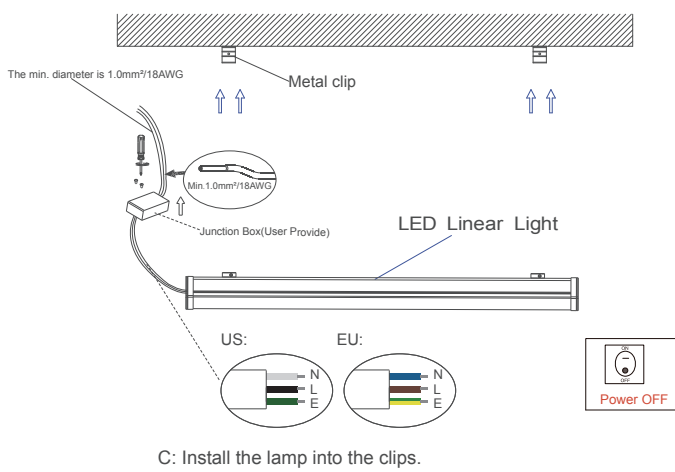
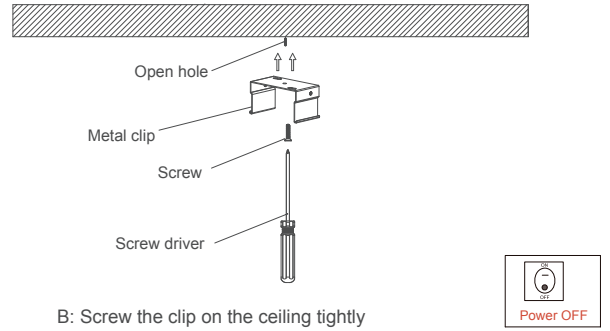
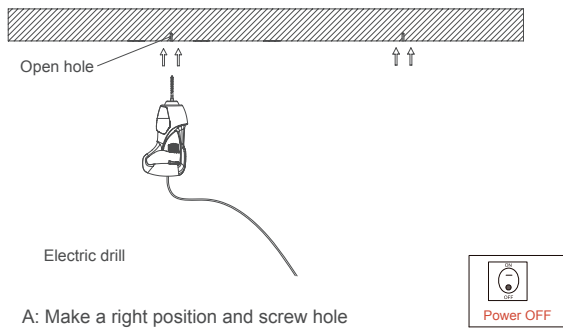


D: Adjust the position of the fixture and clean it..

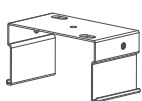
PLS note : PLS put the terminal of power cable into water proof box and use a listed water proof bushing when you link the power



B. Ceiling Mounted



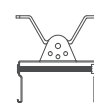
■ Pls note : Above installation “ B ” belongs to our standard installation, if you want to choose our way of “ A ” installation then you need to select our optional accessories and pay.



Metal Card
One package two pcs



Steel cable
One package two pcs



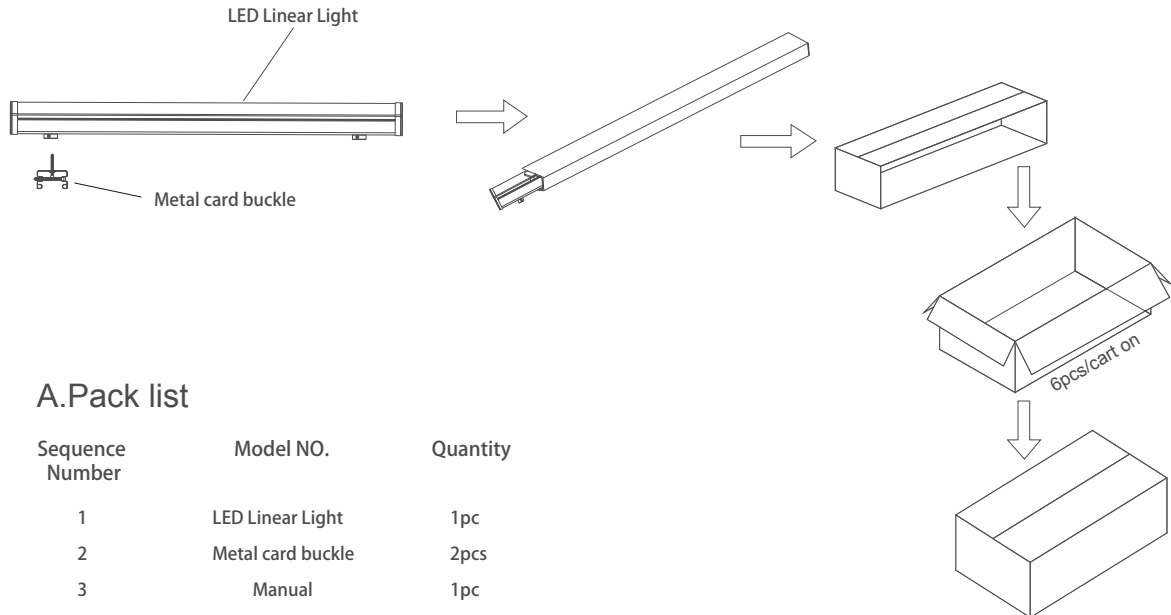
Angle changeable clip
One Lamp two pcs

Standard accessories

Optional accessories



6.Packaging



A.Pack list

Sequence Number	Model NO.	Quantity
1	LED Linear Light	1pc
2	Metal card buckle	2pcs
3	Manual	1pc

B.Packing Data

Model No	Single Box	Pcs/CTN	N .W. / pcs (kg)	G .W. /CTN (kg)	Meas (mm)
L20G 600mm	1	6	1.55	11.08	720x290x260
L20G 900mm	1	6	2.17	15.52	1020x290x260
L20G 1200mm	1	6	2.65	19.14	1320x290x260
L20G 1500mm	1	6	3.32	23.87	1620x290x260

7.Attention

This specification is for reference only,we reserve the right to change without notice.If you need the updated info,please contact local distributors or visit our website at <http://www.ervan.cn>