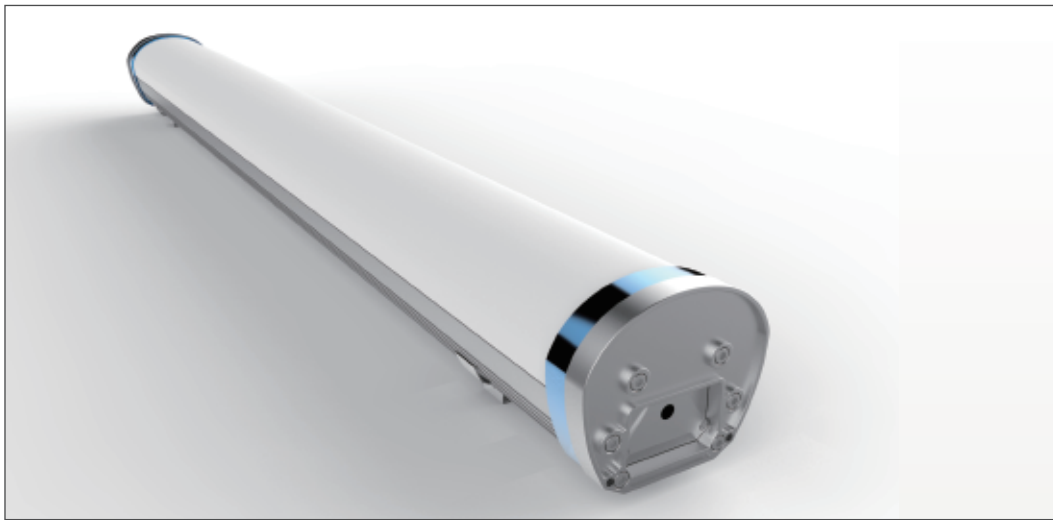
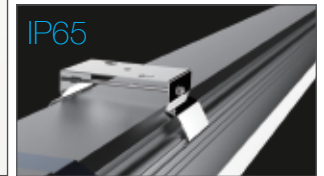


Superpower LED Tri-proof Light SPEC T20G

3- 8m Application



Superior Optical

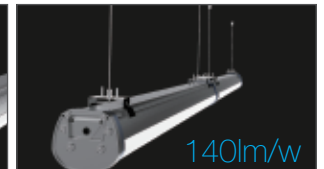


IP65

[     CB SAA] (Applying)

IP 65    

Linkable



140lm/w



■ Matters needing attention

- Before installing the lighting fixtures, please read this instruction manual carefully.
- The lighting fixtures should be installed, connected and tested by a certified installer based on the local regulations.
- Lamps should always be installed or replaced with care.
- Please check the local voltage in accordance with the product requirements before using the product.
- Relamping only can be done when the power is off and the lamp is completely cooled down.
- When a lamp is to be cleaned, make the power off and let it cool down completely. Clean the fixture with a soft cloth and a standard PH neutral detergent. Stainless steel finishing should be maintained regularly.
- Misuse of, or changes to the fixture shall nullify the guarantee.
- Don't cover the fixtures with flammable materials.
- Exclusively replaced by the manufacturer or his service agent or the similar qualified person in order to avoid a hazard.

■ S/N Rules

S/N:ABCDEFX

1 2 3 4 5 6

EX:L07GK206511030000X

1 2 3 4 5 6

- 1 Model
- 2 PC Lens : K=Frosted T=Clear
- 3 Power : 20=20W 30=30W 40=40W 50=50W 65=65W
- 4 Color Range : 30=WW(3000K) 40=NW(4000K) 50=DW(5000K)
60=CW(6000K)
- 5 Date : 11=2011 Year 03=March
- 6 Quantity : 00001-99999PCS

■ Temperature Characteristics T-ambient 25°C

Temperature

Operating -20~+40 °C
Storage -40~+85 °C

■ Electrical Characteristics

Input Voltage:

US:AC100~277V 50/60Hz
EU:AC100~240V 50/60Hz
PF: ≥0.93 THD<20%
Power Efficiency: ≥0.87



1. Features

- Tri-proof Patented Design
- Special design for 3- 8m application high
- Universal AC input 90-305VAC
- Ultra bright 140lm/w
- Unique light distribution design for comfortable optic performance
- Suspend and ceiling mounted for convenient installation and maintenance
- Adjust installation Angle can change the direction of light
- Can be linkable
- Unique heatsink design for stable product performance
- Patented design + Brand driver+ Brand LED
- Product automatic protection (OVP OLP OTP OCP)
- Water proof IP65 rate

2.Application

COMMERCIAL LIGHTING

Office
Meeting room
Hotel
Hospital
Supermarkets
Shopping mall
Large retailers
Library
School
etc.

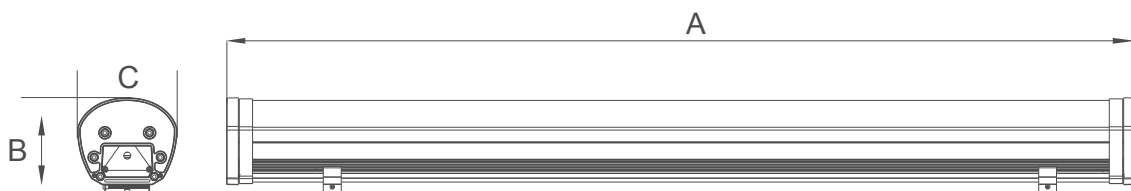
PUBLIC LIGHTING

Tunnel
Airports
Sports
Train stations
Bus stations
Theatres
MTR stations
etc.

INDUSTRIAL LIGHTING

Manufacture
Warehouses
Park
Exhibition centers
Gas stations
Toll stations
Gymnasium
etc.

3.Product Dimension



Model NO.	Size A(mm)	Size B(mm)	Size C(mm)
T20G 600mm	600	85	109
T20G 900mm	900	85	109
T20G 1200mm	1200	85	109
T20G 1500mm	1500	85	109



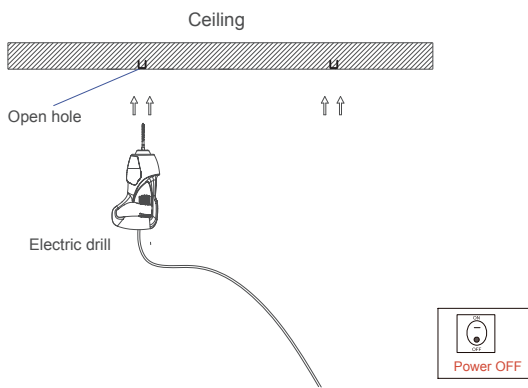
4. Parameter

Model NO.	Power (W)	Light Source	LED QTY (pcs)	CCT (K)	Frosted Cover Lumens	Clear Cover Lumens	Clear Cover Lm/W	Frosted Cover Lm/W	CRI	Beam Angle	Recommended Installation Height (m)
T20G/600mm	40	2835	240	4000K	4200	4600	105	115	>80	120°	3-8
T20G/900mm	60	2835	312	4000K	6300	6900	105	115	>80	120°	3-8
T20G/1200mm	80	2835	416	4000K	8400	9200	105	115	>80	120°	3-8
T20G/1500mm	100	2835	520	4000K	10500	11500	105	115	>80	120°	3-8

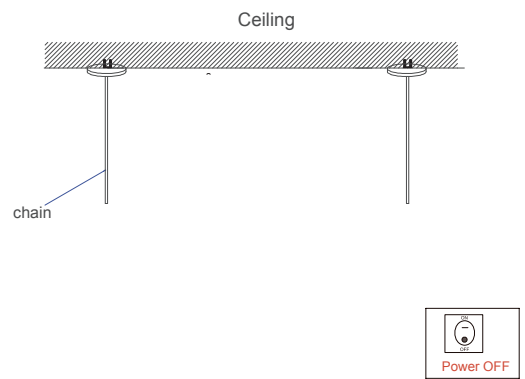
CCT Range WW(3000K) NW(4000K) DW(5000K) CW(6500K)

5. Installation

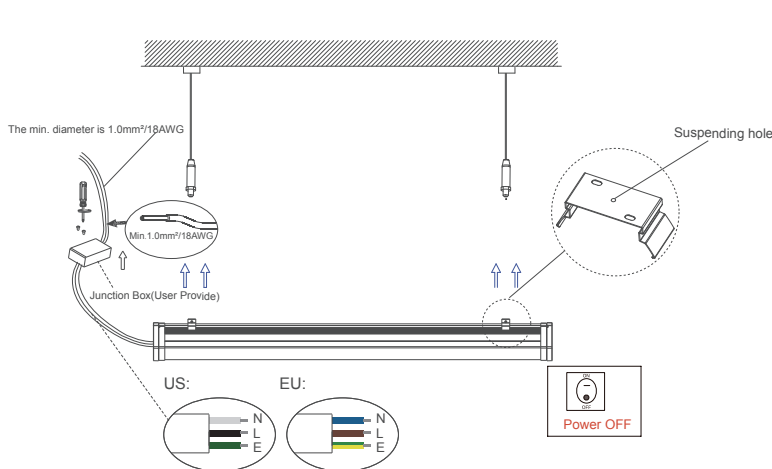
A. Suspending



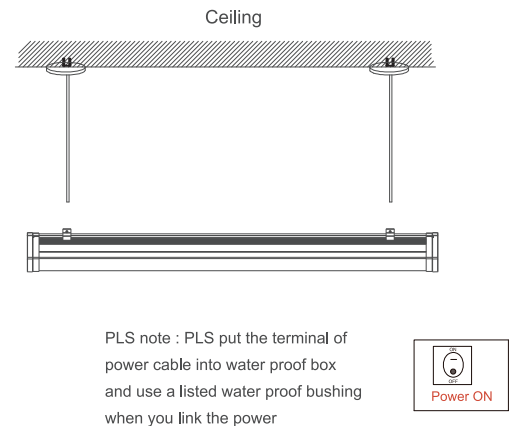
A : Make a right position and screw hole



B : Screw the steel cable onto the ceiling



C : Hang the fixture under the steel cable and secure the fixture by steel cable

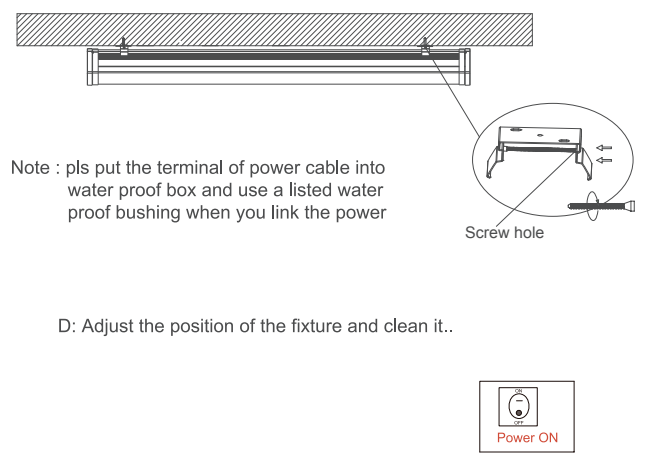
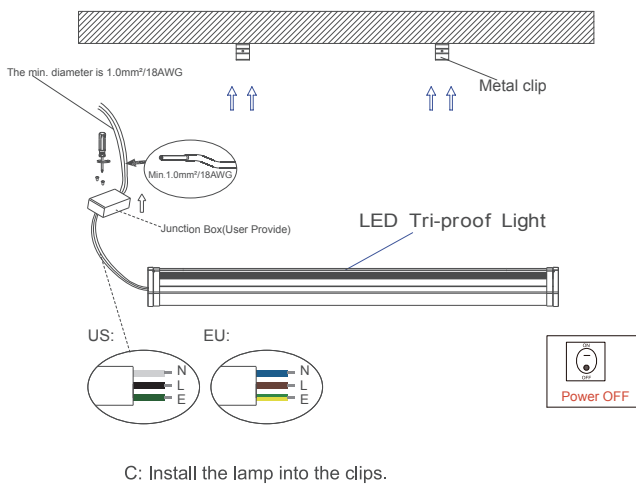
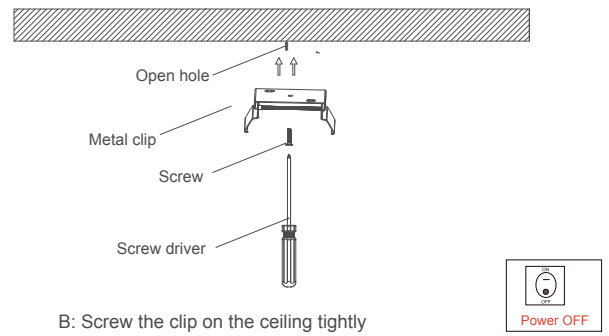
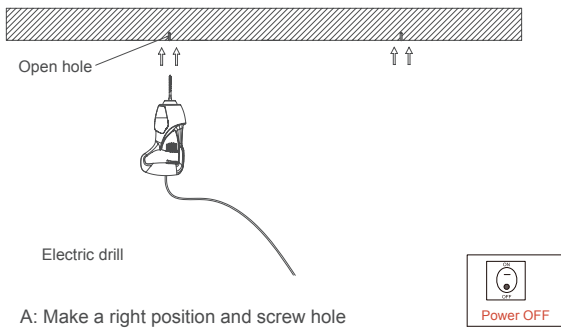


PLS note : PLS put the terminal of power cable into water proof box and use a listed water proof bushing when you link the power

D: Adjust the position of the fixture and clean it..

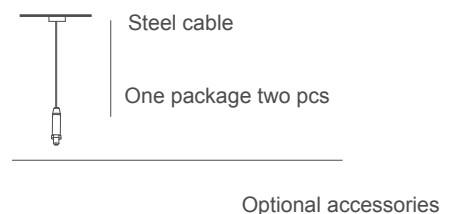
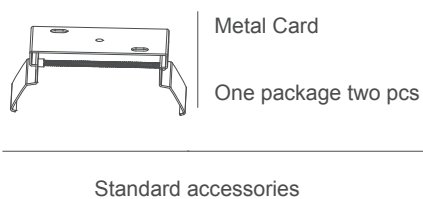


B. Ceiling Mounted



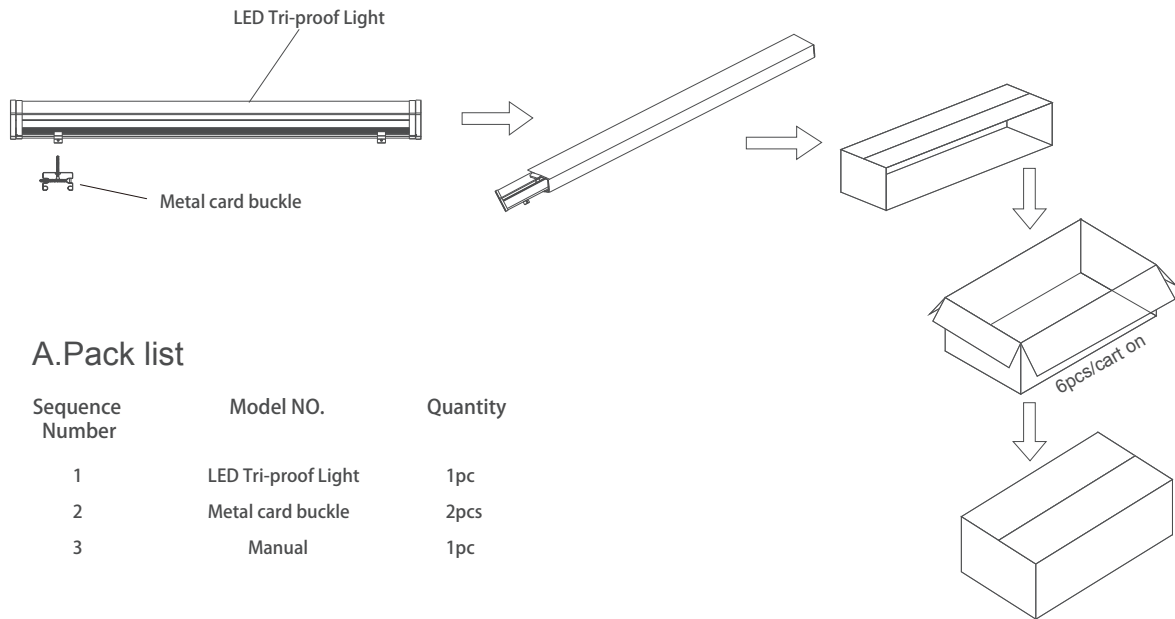
■ Caution: The product is not suitable for any oil pollution ambient or related applications.

■ Pls note : Above installation " B " belongs to our standard installation, if you want to choose our way of " A " installation then you need to select our optional accessories and pay.





6.Packaging



A.Pack list

Sequence Number	Model NO.	Quantity
1	LED Tri-proof Light	1pc
2	Metal card buckle	2pcs
3	Manual	1pc

B.Packing Data

Model No	Single Box	Pcs/CTN	N .W. / pcs (kg)	G .W. /CTN (kg)	Meas (mm)
T20G 600mm	1	6	1.55	11.08	720x290x260
T20G 900mm	1	6	2.17	15.52	1020x290x260
T20G 1200mm	1	6	2.65	19.14	1320x290x260
T20G 1500mm	1	6	3.32	23.87	1620x290x260

7.Attention

This specification is for reference only,we reserve the right to change without notice.If you need the updated info,please contact local distributors or visit our website at <http://www.ervan.cn>