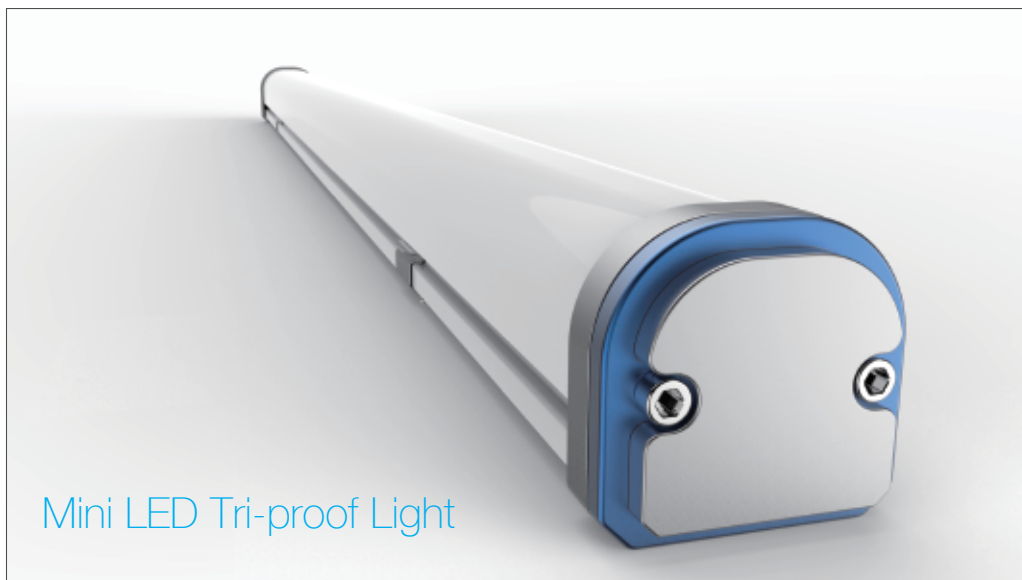
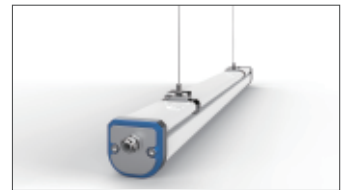


Mini LED Tri-proof Light SPEC T40G



Multiple installation



Imaginative appearance



Full plastic design



IP66 water proof





■ Matters needing attention

- Before installing the lighting fixtures, please read this instruction manual carefully.
- The lighting fixtures should be installed, connected and tested by a certified installer based on the local regulations.
- Lamps should always be installed or replaced with care.
- Please check the local voltage in accordance with the product requirements before using the product.
- Relamping only can be done when the power is off and the lamp is completely cooled down.
- When a lamp is to be cleaned, make the power off and let it cool down completely. Clean the fixture with a soft cloth and a standard PH neutral detergent. Stainless steel finishing should be maintained regularly.
- Misuse of, or changes to the fixture shall nullify the guarantee.
- Don't cover the fixtures with flammable materials.
- Exclusively replaced by the manufacturer or his service agent or the similar qualified person in order to avoid a hazard.

■ S/N Rules

S/N:ABCDEFX

1 2 3 4 5 6

EX:T40GK206511030000X

1 2 3 4 5 6

- 1 Model
- 2 PC Lens : K=Frosted T=Clear
- 3 Power : 20=20W 30=30W 40=40W 50=50W 65=65W
- 4 Color Range : 30=WW(3000K) 40=NW(4000K) 50=DW(5000K)
60=CW(6000K)
- 5 Date : 11=2011 Year 03=March
- 6 Quantity : 00001-99999PCS

■ Temperature Characteristics T-ambient 25°C

Temperature

Operating -20~+40 °C
Storage -40~+85 °C

■ Electrical Characteristics

Input Voltage:
US: AC100~277V 50/60Hz
EU: AC100~240V 50/60Hz
PF: ≥0.93 THD<20%
Power Efficiency: ≥0.87



1. Features

- Mini LED Tri-proof Light for 2-4m height of application
- IP66 waterproof , dust-proof , corrosion and pressure-proof
- Widely used with multifunction design
- Full plastic design enhance the waterproof performance
- Patent and functional design with imaginative appearance
- Unique light distribution design for comfortable optic performance
- Multiple installation way can be save the labor cost
- Product automatic protection OVP OLP OTP OCP
- No UV, No Lead , No Mercury

2.Application

COMMERCIAL LIGHTING

Supermarket
Exhibition hall
Parking place
Gas station
Etc

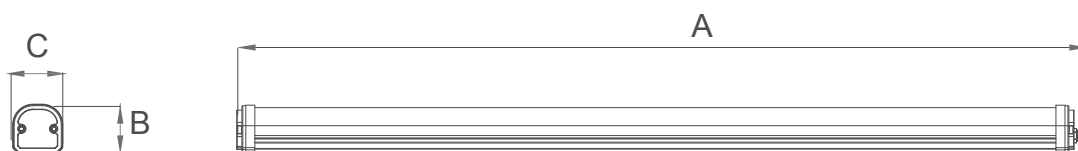
PUBLIC LIGHTING

Tunnel
MTR station Etc
Train station
Bus station
Airport
Etc

INDUSTRIAL LIGHTING

Factory/Warehouse
Etc

3.Product Dimension



Model NO.	Size A(mm)	Size B(mm)	Size C(mm)
T40G 610mm	610	55	55
T40G 910mm	910	55	55
T40G 1210mm	1210	55	55
T40G 1510mm	1510	55	55
T40G 1510mm-A	1510	55	55



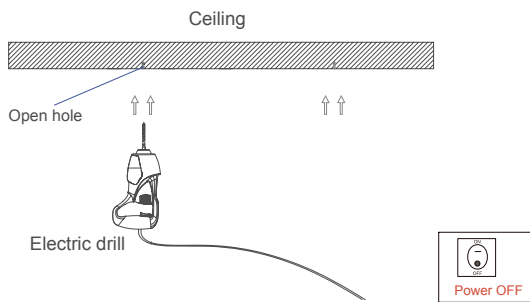
4. Parameter

Model NO.	Power (W)	Light Source	LED QTY (pcs)	CCT (K)	Frosted Cover Lumens	Frosted Cover Lm/W	Clear Cover Lumens	Clear Cover Lm/W	CRI	Beam Angle	Recommended Installation Height
T40G/610mm	20	2835	120	4000K	2100	105	2300	115	>80	140°	2-4
T40G/910mm	25	2835	144	4000K	2625	105	2875	115	>80	140°	2-4
T40G/1210mm	30	2835	196	4000K	3150	105	3450	115	>80	140°	2-4
T40G/1510mm	35	2835	226	4000K	3675	105	4025	115	>80	140°	2-4
T40G/1510mm-A	40	2835	240	4000K	4200	105	4600	115	>80	140°	2-4

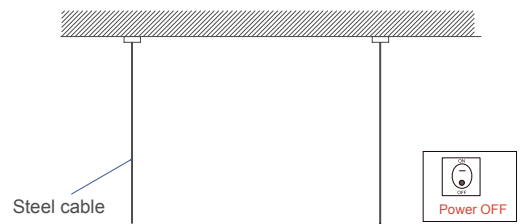
CCT Range WW(3000K) NW(4000K) DW(5000K) CW(6500K)

5. Installation

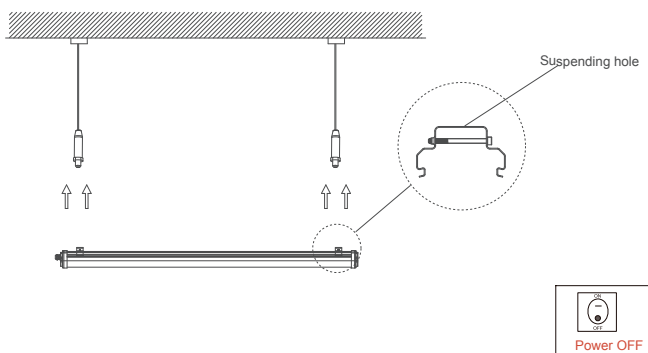
A. Suspending



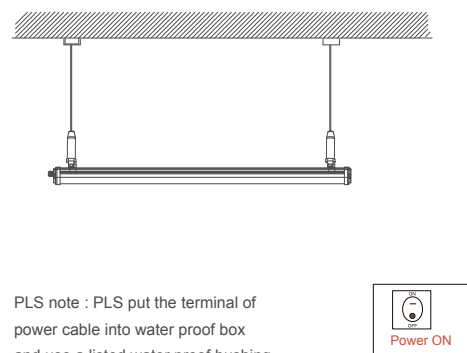
A : Make a right position and screw hole



B : Screw the steel cable onto the ceiling



C : Hung the fixture under the steel cable and secure the fixture by steel cable

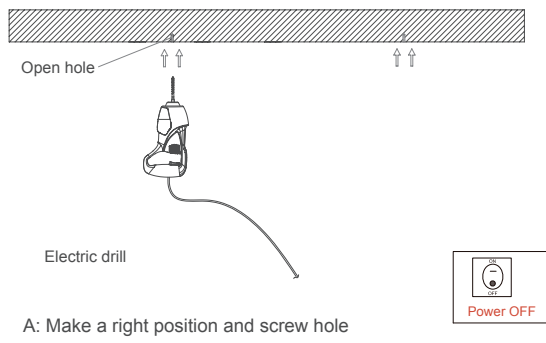


PLS note : PLS put the terminal of power cable into water proof box and use a listed water proof bushing when you link the power

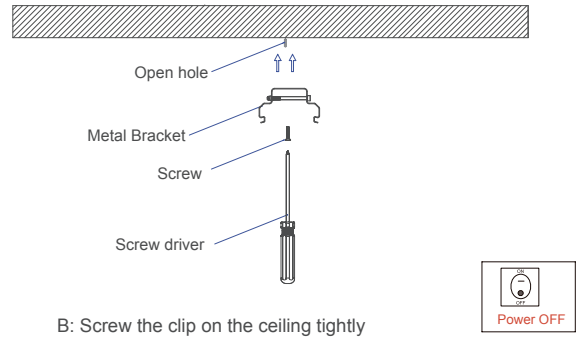
D: Adjust the position of the fixture and clean it..



B. Ceiling Mounted



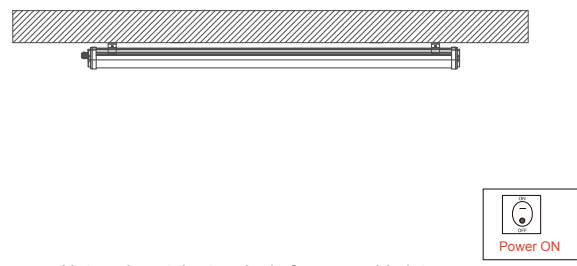
A: Make a right position and screw hole



B: Screw the clip on the ceiling tightly



C: Install the lamp into the clips.

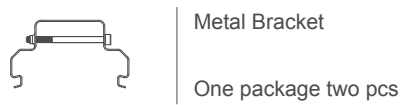


Note : pls put the terminal of power cable into water proof box and use a listed water proof bushing when you link the power

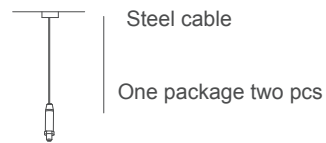
D: Adjust the position of the fixture and clean it..

■  The luminaires are intended for indoor use or under shelter for outdoor use.

■ A1. Pls note : Above installation " B" belongs to our standard installation, if you want to choose our way of "A" installation then you need to select our optional accessories and pay.



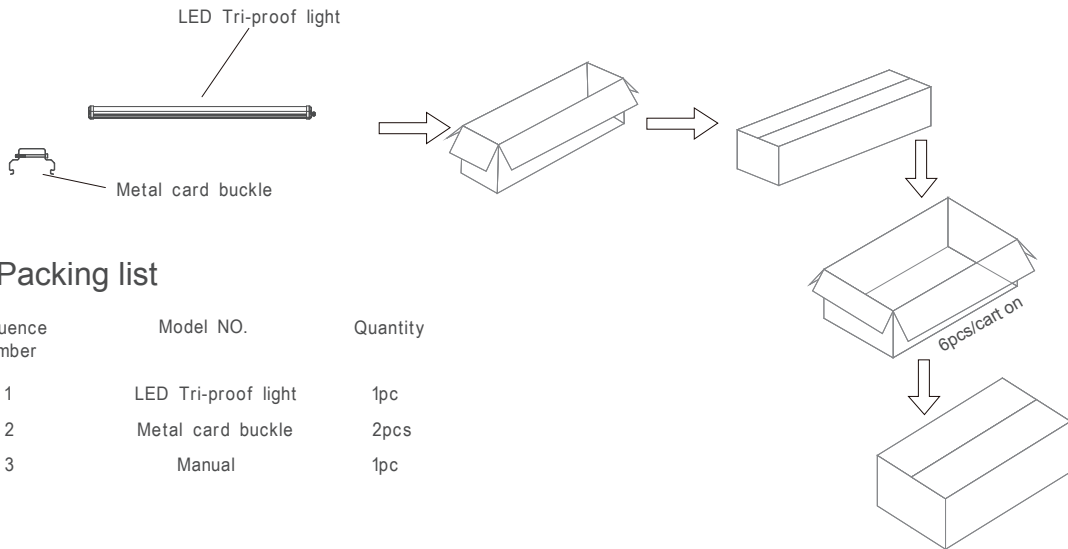
Standard accessories



Optional accessories



6.Packaging



A.Packing list

Sequence Number	Model NO.	Quantity
1	LED Tri-proof light	1pc
2	Metal card buckle	2pcs
3	Manual	1pc

B.Packing Data

Model No	Single Box	Pcs/CTN	N .W. / pcs (kg)	G .W. /CTN (kg)	Meas (mm)
T40G 610mm	1	6	1.10	8.00	720x242x175
T40G 910mm	1	6	1.42	10.32	1040x242x175
T40G 1210mm	1	6	1.76	12.78	1340x242x175
T40G 1510mm	1	6	2.06	15.12	1640x242x175

7.Attention

This specification is for reference only,we reserve the right to change without notice.If you need the updated info,please contact local distributors or visit our website at <http://www.ervan.cn>