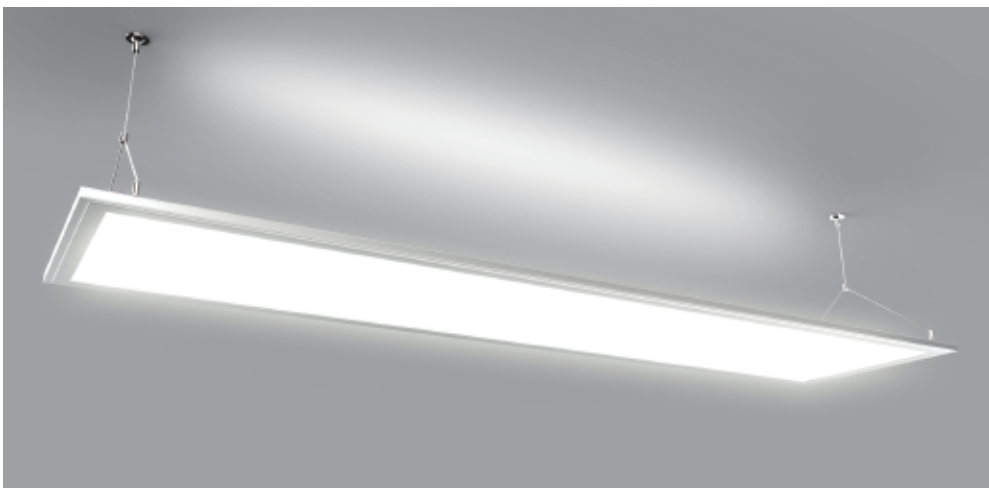


# Double-Side LED Panel SPEC P04CO





## ■ Matters needing attention

- Before installing the lighting fixtures, please read this instruction manual carefully.
- The lighting fixtures should be installed, connected and tested by a certified installer based on the local regulations.
- Lamps should always be installed or replaced with care.
- Please check local voltage in accordance with the product requirements before using the product.
- Relamping only can be done when the power is off and the lamp is completely cooled down.
- When a lamp is to be cleaned, make the power off and let it cool down completely. Clean the fixture with a soft cloth and a standard PH neutral detergent. Stainless steel finishing should be maintained regularly.
- Misuse of, or changes to the fixture shall nullify the guarantee.
- Don't cover the fixtures with flammable materials.
- Exclusively replaced by the manufacturer or his service agent or the similar qualified person in order to avoid a hazard.

## ■ S/N Rules

S/N: ABCDE-FGHI-JKLM

1 2 3 4 5 6 7

CCTRange:

WW(3000K) NW(4000K) DW(5000K) CW(6000K)

- 1 Type Panel
- 2 Series
- 3 Function
- 4 Power
- 5 CCT
- 6 Version
- 7 Size

## ■ Temperature Characteristics T-ambient 25°C

### Temperature

Operating -20~+40 °C  
Storage -40~+85 °C

### Humidity

Operating 10%-80%  
Storage 10%-80%

## ■ Electrical Characteristics

Input Voltage: AC220~240V 50/60Hz  
PF: ≥0.93  
Power Efficiency: ≥0.87



## 1. Features

- The frame of strength very strong and not deformation
- Double-sided LED panel light with perfect optical design effect
- The unique advantage for replace the traditional lighting
- Using optical PMMA light guide
- Using indirect lighting for downy light and visually comfortable
- Application in the design of concise interior space
- AL6063-T5 Aluminium frame better heat dissipation
- Maximum efficacy and minimum glare
- Illuminance Uniformity

## 2. Application

### COMMERCIAL LIGHTING

Office  
Supermarket  
Hotel  
Exhibition hall  
Etc

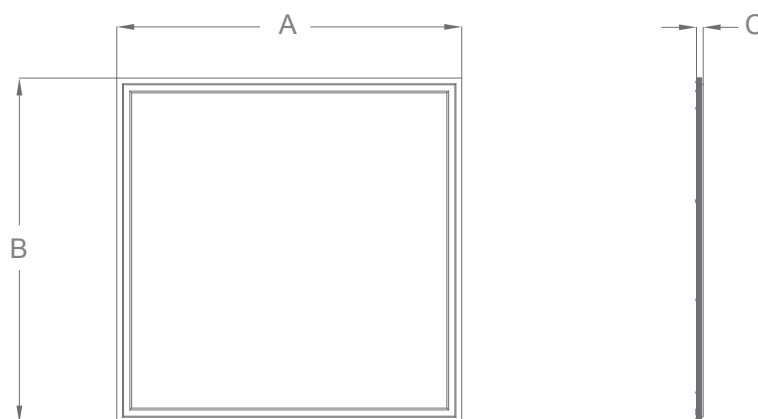
### PUBLIC LIGHTING

Residence  
Library  
Hospitals  
School  
MTR station  
Train station  
Etc

### INDUSTRIAL LIGHTING

Factory

## 3. Product Dimension





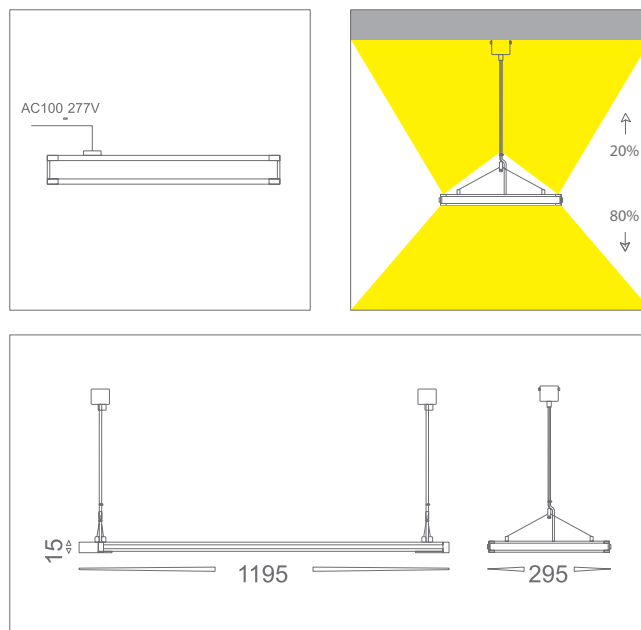
Model NO.	SizeA(mm)	Size B(mm)	Size C(mm)	Panel Cable Length(mm)	Driver Cable Length(mm)
P04CO-54NA-1203	1195	295	11.5	1000	150
P04CO-40NA-1203	1195	295	11.5	1000	150
P04CO-22NA-0603	595	295	11.5	1000	150

CCT Range WW (3000K) NW(4000K) DW(5000K) CW(6000K)

## 4.Parameter

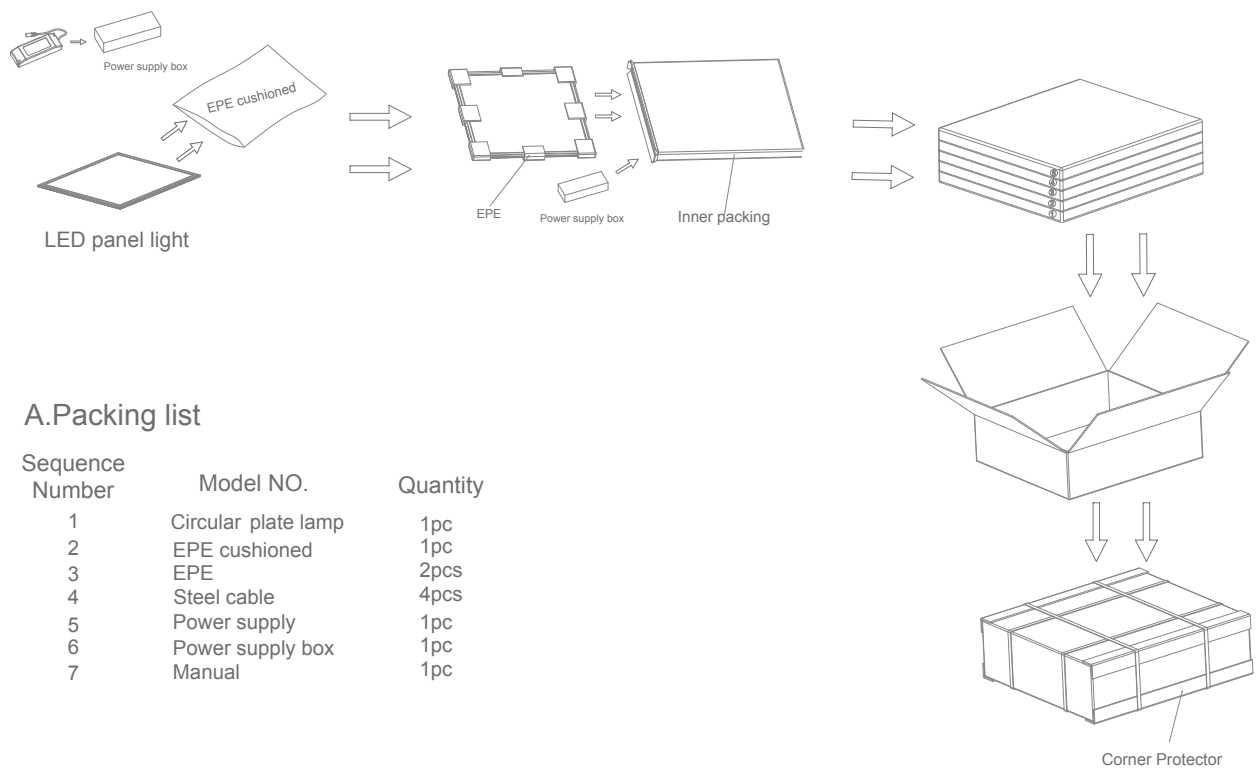
Model NO.	Power(W)	CCT(K)	Luminous Flux(lm)	Led QTY (pcs)	Efficiency (lm/W)	CRI	Input Voltage	PF
P04CO-54NA-1203	54	4000K	4860	264	90	>80	AC100~240	≥0.93
P04CO-40NA-1203	40	4000K	3600	192	90	>80	AC100~240	≥0.93
P04CO-22NA-0603	22	4000K	1980	108	90	>80	AC100~240	≥0.93

## 5.Installation





## 6.Packaging



### A.Packing list

Sequence Number	Model NO.	Quantity
1	Circular plate lamp	1pc
2	EPE cushioned	1pc
3	EPE	2pcs
4	Steel cable	4pcs
5	Power supply	1pc
6	Power supply box	1pc
7	Manual	1pc

Model No	Singal Box	Pcs/ctn	N.M./tube (kg)	G.W./ctn (kg)	Meas (cm)
P04CO-54NA-1203	1	5	3.507	22.5	132x34x22
P04CO-40NA-1203	1	5	3.507	22.5	132x34x22
P04CO-22NA-0603	1	5	1.91	15	72x34x22

## 7.Attention

This specification is for reference only,we reserve the right to change without notice.If you need the updated info,please contact local distributors or visit our website at <http://www.ervan.cn>